

Stainless Steel Foam Manifold



The foam manifold incorporates the flowmeter sensor, main waterway check valve, concentrate injection port and drain port all into one compact assembly. Equipped with victaulic connections on both ends; the manifold reduces installation time and space requirements, eliminates thread leakage and allows for easier service access. The 304 stainless steel construction offers extreme corrosion-resistance, and each manifold is tested to 500 psi to guarantee integrity. Available in standard pipe sizes up to 4 inch and all delivered with FoamPro's unmatched accuracy.

Features & Benefits:

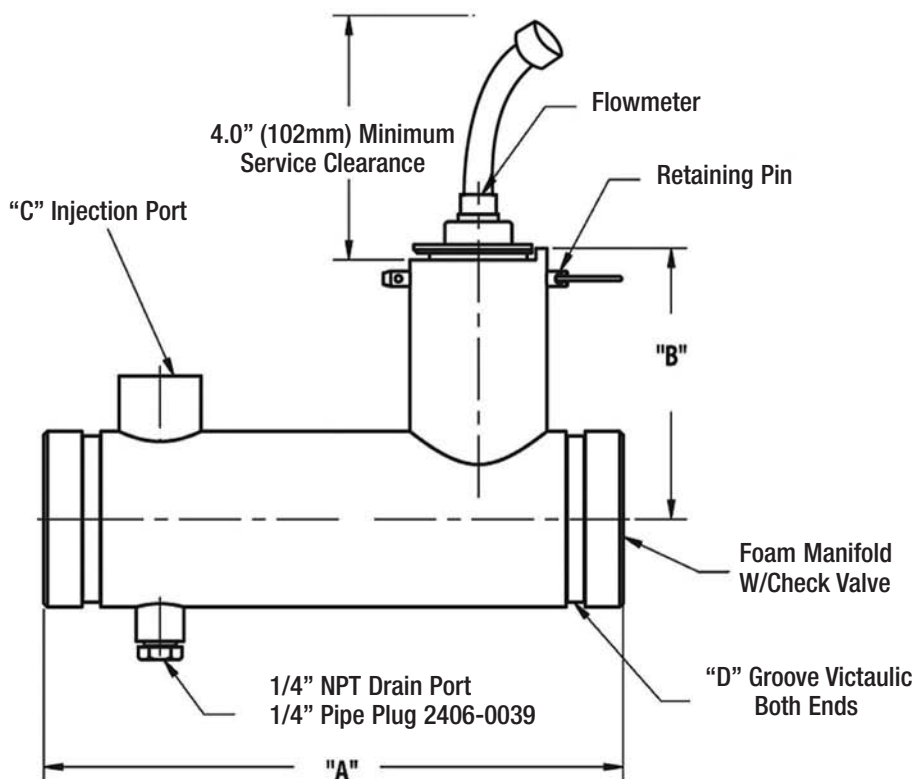
- Reduces installation costs
- Easier to service
- Eliminates thread leakage
- Requires less space
- All 304 stainless steel construction
- Corrosion-resistant



Stainless Steel Foam Manifold

SPECIFICATIONS

Unmatched Accuracy



Part No.	"A"	"B"	"C"	"D"	Maximum Accuracy Flow Range	Maximum Operating Flow Range
2660-0051	8.5"	4.0"	1/2"	1-1/2"	7-210 gpm (27-795 L/min)	3-265 gpm (11-1,003 L/min)
2660-0052	8.5"	4.3"	1/2"	2"	10-320 gpm (38-1,211 L/min)	3-380 gpm (11-1,438 L/min)
2660-0053	9.5"	4.4"	3/4"	2-1/2"	15-520 gpm (57-1,968 L/min)	5-625 gpm (19-2,366 L/min)
2660-0054	9.5"	4.8"	3/4"	3"	20-750 gpm (76-2,839 L/min)	8-900 gpm (30-3,407 L/min)
2660-0055	11.5"	5.3"	1"	4"	30-1150 gpm (114-4,353 L/min)	12-1380 gpm (45-5,224 L/min)



Pentair Water

Flow Technologies Group

375 Fifth Avenue NW • New Brighton, Minnesota 55112 USA
 Phone: (651) 766-6300 • 800-533-9511 • Fax: (651) 766-6614
 foampro@pentair.com • www.foampro.com