



MultiFlo

Quad Flow System

INSTALLATION AND OPERATION MANUAL

Unit Serial Number _____

All quality FoamPro products are ruggedly designed, accurately machined, carefully assembled, thoroughly inspected and tested. In order to maintain the high quality of your unit, and to keep it in a ready condition, it is important to follow the instructions on care and operation. Proper use and good preventive maintenance will lengthen the life of your unit. ALWAYS INCLUDE THE UNIT SERIAL NUMBER IN CORRESPONDENCE.

TABLE OF CONTENTS

SECTION	PAGE
1 SAFETY	3
2 INTRODUCTION	4
3 INSTALLATION PROCEDURES	6
4 CALIBRATION PROCEDURES	10
5 OPERATION	13
6 DIAGNOSTIC PROCEDURES	14
7 PARTS IDENTIFICATION	15
8 INSTALLATION TEMPLATE	16
9 WARRANTY	20

NOTE TO SYSTEM INSTALLERS

IMPORTANT: Please provide a copy of the FoamPro manual to the end user of the equipment. For additional FoamPro manuals, contact Hypro by FAX 800-323-6496, web site www.foampro.com, or call (800) 533-9511. Request Form No. 880-FP.

1 Safety

1. Always disconnect the power source before attempting to service any part of the FoamPro MultiFlo System.
2. Any electrical system has the potential to cause sparks during service or repair. Take care to eliminate explosives or hazardous environments during service or repair of the system.
3. Release all pressure and drain the liquid from the piping before servicing or removing the paddlewheel flowmeter sensors.
4. Read and understand the operation section of this manual before attempting to operate the FoamPro MultiFlo unit. Serious injury could occur if the wrong discharge flow is read by the operator.
5. **CAUTION: Periodically inspect the wiring for damage, loose connections or potential physical damage from moving parts or components that get extremely hot during operation.**
6. **CAUTION: Always disconnect the ground straps and control cables from the FoamPro MultiFlo control module or other FoamPro equipment before electric arc welding at any point on the apparatus. Failure to do so will result in a power surge through the unit that could cause irreparable damage.**
7. **CAUTION: Before connecting the molded cables, inspect the yellow seal washer in the female connector. If the seal washer is missing or damaged, water can enter the connector and cause corrosion of the pins and terminals that will cause system failure.**
8. **CAUTION: The cable shipped with each FoamPro MultiFlo unit and flowmeter are tested at the factory with that unit. Improper handling and forcing connections can damage these cables which could result in other system damage.**

2 Introduction

The FoamPro MultiFlo System is designed to monitor up to four paddlewheel flowmeters and display the individual flow rates of the foam discharge outlets. The FoamPro MultiFlo control module transmits the total flow of all operating discharges to the FoamPro System which in turn displays the total flow value on the digital control module display. For example, if Flow A is 200 GPM and Flow B is 300 GPM, the FoamPro Digital Display Control Module will read 500 GPM.

Buttons are provided on the FoamPro MultiFlo control module to allow the operator to read individual discharge flow rates. By pressing a button, the flow for that particular discharge outlet will be shown on the FoamPro MultiFlo control module display. The rate shown is the amount of water or foam solution flowing through the flowmeter being monitored.

After calibration has been accomplished as described in Section 4, the system is fully automatic and needs no further adjustments.

The FoamPro MultiFlo Control Module and FoamPro Digital Display Control Module are shown in Figure 1.

The FoamPro Multiflo allows a FoamPro system to cover a wider flow range by allowing the proper size flow sensor to be used for different discharges. For example, a truck with one or more booster lines, 1³/₄" pre-connects, 2¹/₂" discharges and 3" deluge gun would not be within the flow range of any one flow sensor. (See flow ranges on the flowmeter drawing in Section 8). However, using a FoamPro Multiflo system will allow a 1¹/₂" flow sensor to supply one or more booster lines, a 2" flow sensor for the pre-connects, and 2¹/₂" and 3" flow sensors for the other discharges. By combining manifolds with multiple flowmeters, many discharges may be accommodated over a wide flow range. It is important to note that whether the piping is designed using a mini manifold or a field fabricated manifold system (see Figure 2), all discharges are supplied with foam concentrate by a single foam injection point.

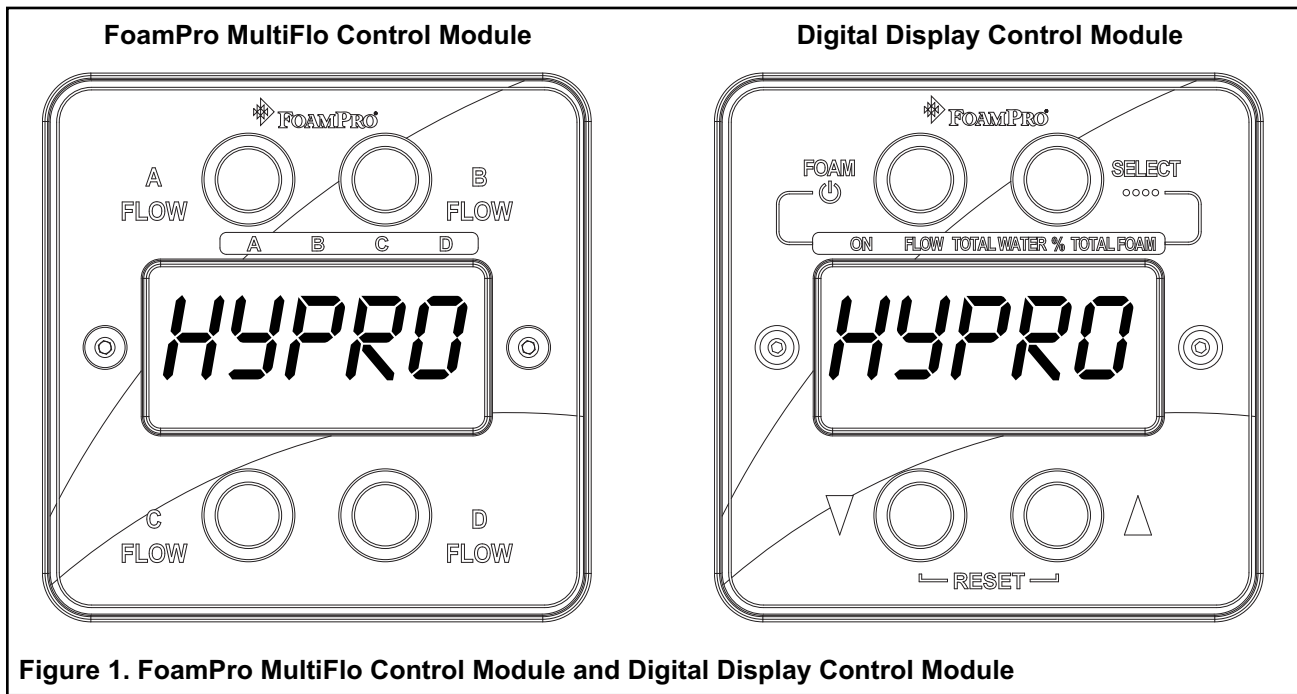
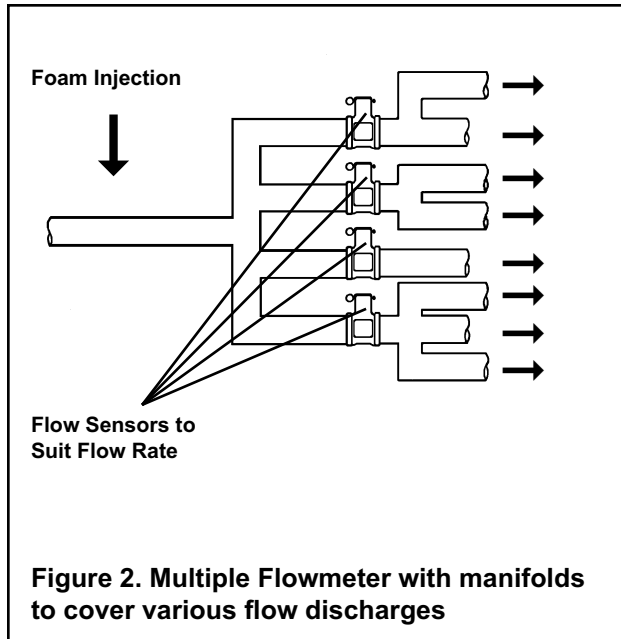


Figure 1. FoamPro MultiFlo Control Module and Digital Display Control Module



Since there is a single foam concentrate injection point, the total water flow through all discharges that are supplied with foam concentrate must not exceed the capacity of the FoamPro foam proportioner being used. For example: If the FoamPro 2001 foam proportioning system is used, the maximum foam concentrate flow will be 2.6 GPM (9.8 LPM) . When the foam concentrate injection is set to 0.1%, the amount of water that can be supplied with the proper percentage of foam concentrate is 2600 GPM (9841 LPM). If the foam concentrate injection is set to 0.5%, then the total amount of water that can be supplied with the proper percentage of foam concentrate is 520 GPM (1968 LPM).

3 Installation Procedures

The FoamPro MultiFlo System consists of the FoamPro MultiFlo Control Module and flowmeter cables to monitor up to four (4) paddlewheel flowmeters.

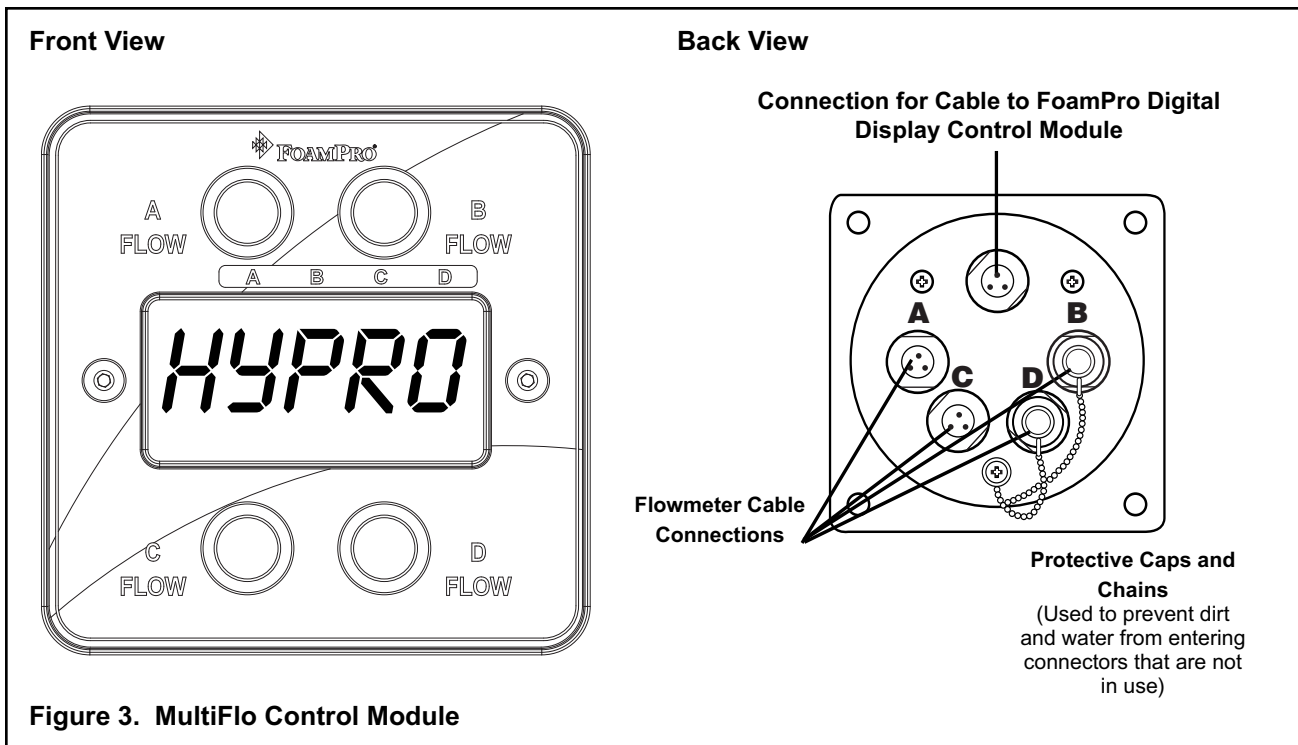
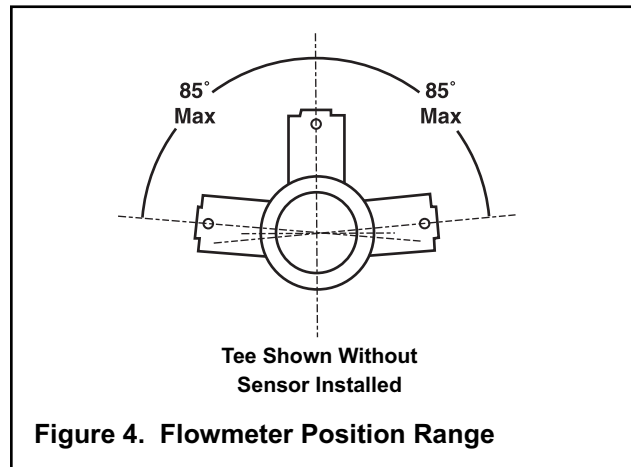
The FoamPro MultiFlo Control Module has five connectors on the back of the case (see Figure 3) to connect the cables from the flowmeters and FoamPro Digital Display Control Module. The FoamPro MultiFlo Control Module receives operating power from the FoamPro System when that system is provided power from the apparatus electrical system.

The following procedures shall be used when installing the system.

1. The flowmeter tees must be installed in the apparatus piping. The FoamPro paddlewheel style flowmeter tees are specially designed tees that make inspection and maintenance of the flow sensor easy. The threads of the tees are NPT. In horizontal runs, the tees should be mounted as

close to upright as possible within the range shown in Figure 4. The flowmeters may also be mounted vertically.

NOTE: Make sure the arrow on the side of the flowmeter tee points in the proper direction of water flow.



To make sure proper readings are obtained, the flowmeters require that the amount of water turbulence in the pipe being monitored is as low as possible. Excessive turbulence produces unstable and inaccurate flow readings. The following installation guidelines will help attain the best readings and maintain the accuracy of the flowmeters.

A minimum **5 times the pipe diameter** of straight run pipe without any fittings is necessary upstream of the flowmeter (see Figure 5). **10 times** is even better - the longer the straight run, the lower the turbulence. Here are some examples of required straight run:

Pipe Size	Recommended Straight Run Pipe
1½" (38 mm)	7½ to 15" (191 to 381mm)
2" (50 mm)	10 to 20" (254 to 508 mm)
2½" (64 mm)	12½ to 25" (317 to 635mm)
3" (76 mm)	15 to 30" (381 to 762 mm)

The downstream plumbing of the flowmeter is not as critical, but again, straight runs without fittings help maintain accurate flow readings.

Do not mount a flowmeter directly after an elbow or valve (see Figure 5). Valves create severe turbulence when they are "gated-down."

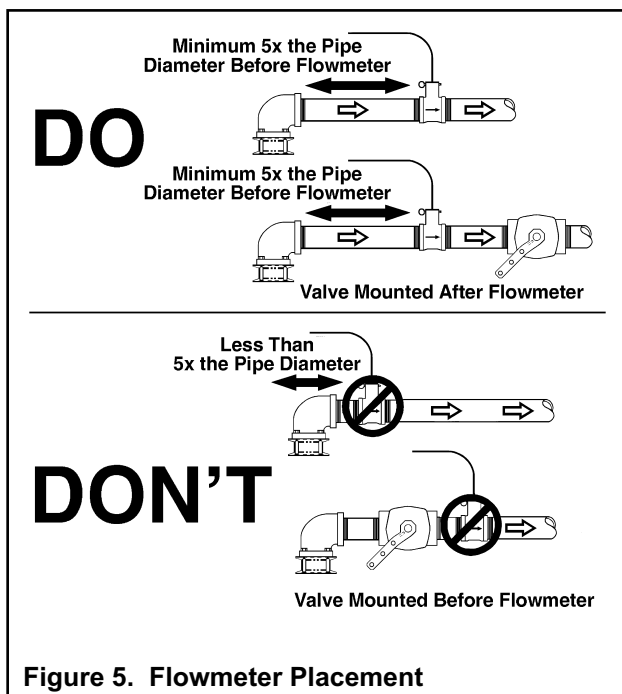


Figure 5. Flowmeter Placement

2. Locate a position on the apparatus operator's panel that will accommodate the FoamPro MultiFlo Control Module. The cutout that will be needed in the operator panel is a 3⁷/₈" (98 mm) diameter hole [the same as a 3¹/₂" (89 mm) pressure gauge]. The display is secured with four #10 socket head screws in the four holes in the face (see Section 8 for a mounting template). The display requires 5 inches (127 mm) minimum from the back of the operator panel to clear wires and connectors. Make sure there is enough clearance behind the operator's panel for the cables.

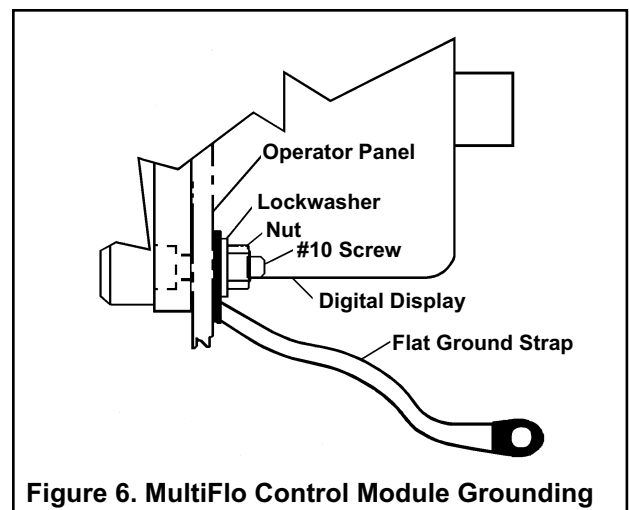


Figure 6. MultiFlo Control Module Grounding

NOTE: Make sure the panel where the control module is mounted has an adequate ground. For stainless steel and vinyl-coated panels, a 1/2" (13 mm) wide flat ground strap must be attached from one of the four screws, holding the control module in place, to the frame of the fire truck to ensure adequate grounding (see Figure 6).

CAUTION: Before connecting the molded cables, inspect the yellow seal washer in the female connector. If the seal washer is missing or damaged, water can enter the connector and cause corrosion of the pins and terminals that will cause system failure.

CAUTION: The cable shipped with each FoamPro MultiFlo unit is tested at the factory with that unit. Improper handling and forcing connections can damage these cables, which could result in other system damage.

- Each flowmeter requires a cable to connect to the FoamPro MultiFlo unit. These cables are available in lengths of 1.5, 6, 12 and 20 feet (0.5, 2, 4 and 6 meters). Up to two cables may be joined together for a maximum cable length of 40 feet (12 meters). One 12 foot (6 meter) flowmeter cable is included with the FoamPro 2000 or 3000 system. A 6 foot (2 meter) flowmeter cable is included with the FoamPro MultiFlo to connect the FoamPro MultiFlo to the FoamPro Digital Display Control Module.

Connect the cables from the flowmeter sensors to the connectors marked A, B, C or D on the back of the control module (see Figure 3). If all connections are not used, make sure the protective caps are installed on the unused connectors.

- An EMI/RFI (Radio Frequency Interference) suppression kit comes with each flowmeter and is included with each FoamPro system. The clamp-on beads included in the kits, when properly installed, along with proper grounding of components, will reduce the potential for radio frequency interference. Additionally, make sure radio cables and hardware are not located in the immediate area where the FoamPro equipment is mounted.

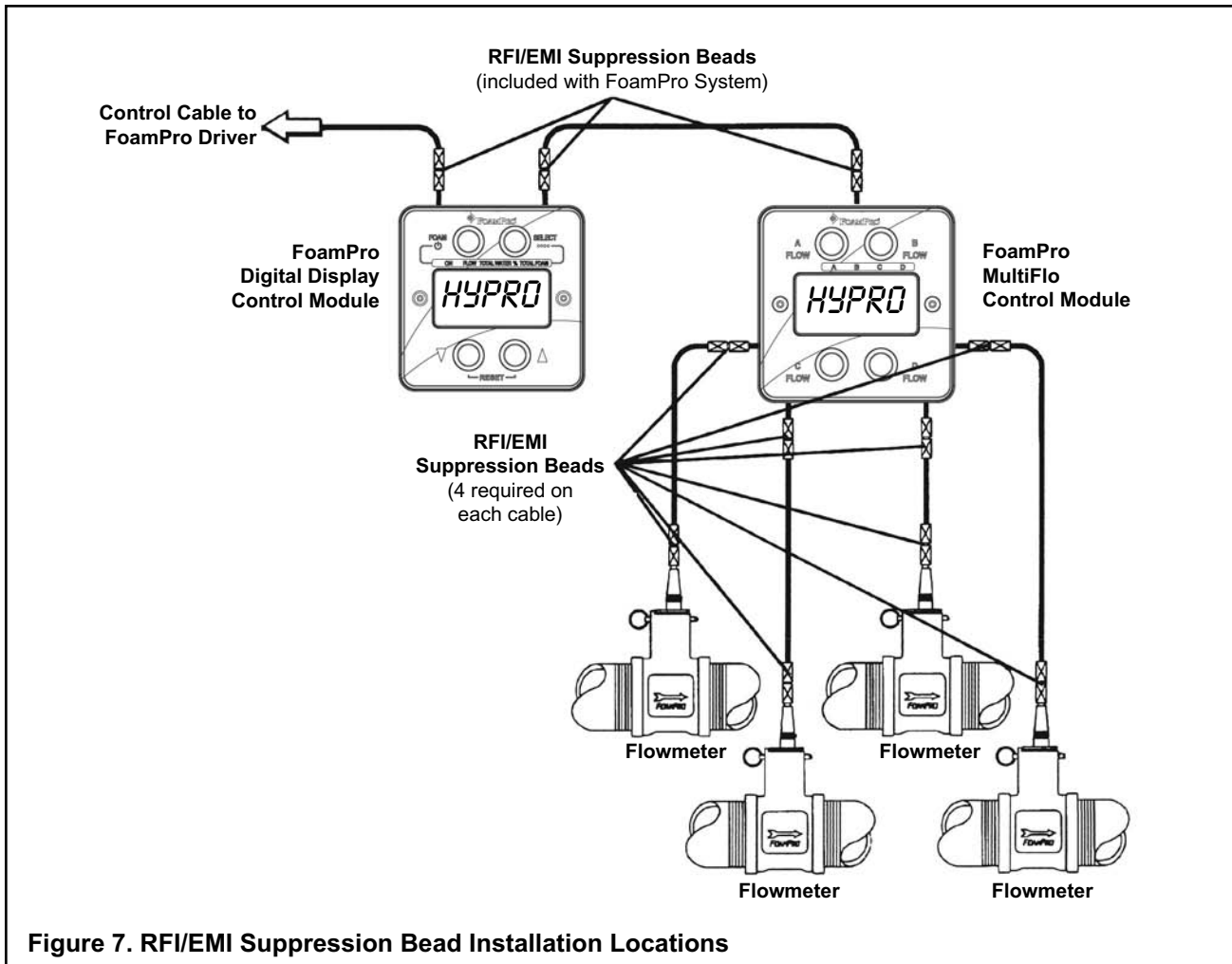


Figure 7. RFI/EMI Suppression Bead Installation Locations

Install clamp-on beads at the locations indicated in Figure 7. Use a small amount of RTV silicone, electrical tape or heat shrink tubing to keep the beads from moving after installation. The clamp-on beads must be slid up as close as possible to the connectors on the cables.

The flowmeter tees may also need grounding. If metal piping is used, sufficient grounding may be present. However, victaulic joints, plastic pipe and rubber-mounted pumps interfere with proper grounding, and an additional ground strap is required. Connect a braided ground strap at least $\frac{1}{4}$ " (6 mm) wide from the flowmeter tee to the apparatus frame to ensure proper grounding. A #6-32 UNC tapped hole is provided on the flowmeter tee for attaching the ground strap.

Round coils of extra flowmeter cable in the pump compartment act as an antenna. While the flowmeter cables cannot be shortened, various lengths of premolded cable are available to minimize the "extra" cable in the truck. (See parts list in Section 7 for part numbers of different size flowmeter cables). When routing flowmeter cables, take care to avoid routing them next to antenna cables, radio power lines and radio components. When there is extra cable, double the cable back on itself and secure in a flat bundle with plastic wire ties instead of making round coils (see Figure 8).

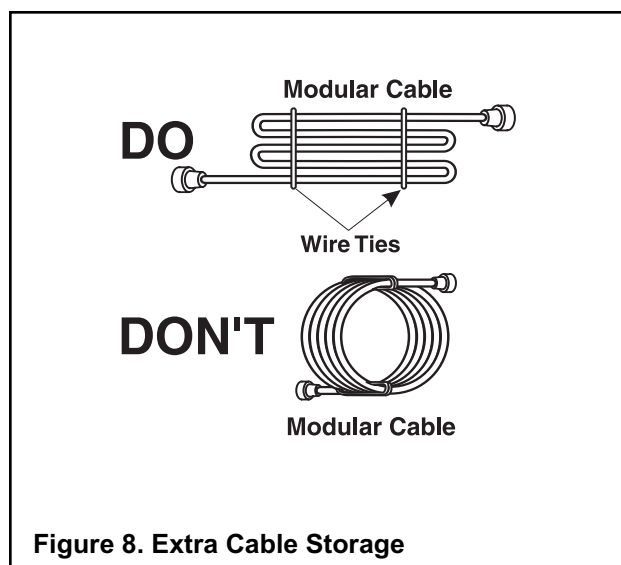


Figure 8. Extra Cable Storage

4 Calibration Procedures

System Setup Procedures

The FoamPro MultiFlo System is designed to allow easy initial calibration of individual flowmeter readings. Two methods of calibration may be used, flow and total volume. The calibration process makes adjustments to each flowmeter display reading.

NOTE: The FoamPro MultiFlo system can be calibrated to any unit of measure, i.e. U.S., metric, imperial, etc. It is necessary to use the same unit of measure throughout the calibration process to ensure proper proportioning by the system.

IMPORTANT: Each flowmeter must be calibrated after installation. Individual flowmeters will require calibration after sensor replacement.

Calibration Mode

Calibration is done by using the MultiFlo Control Module function buttons. To enter calibration mode, use the following procedure.

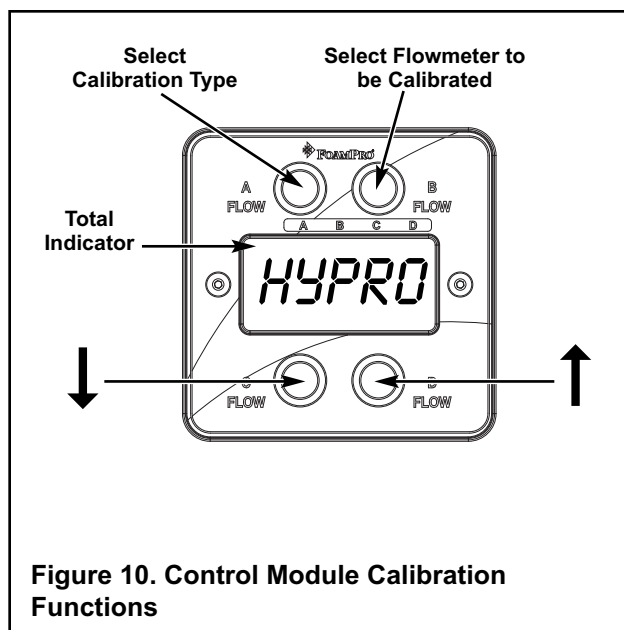
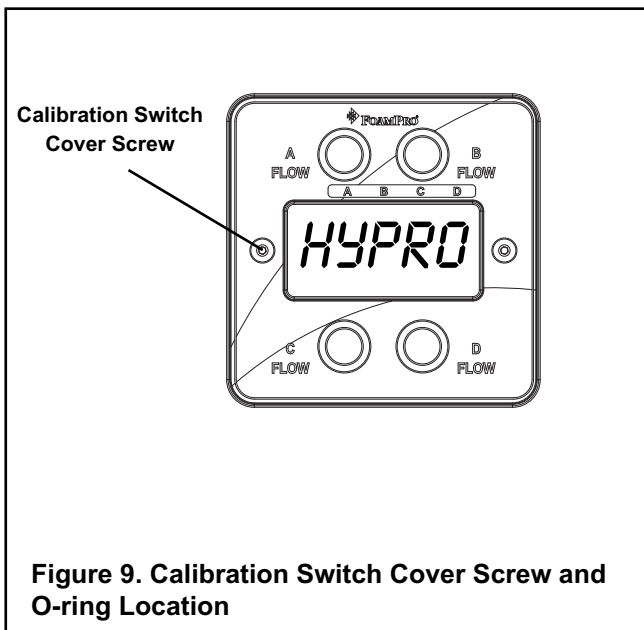
1. Remove the cover screw and the o-ring to the left of the display readout panel on the MultiFlo Control Module (see Figure 9). Use a $\frac{3}{32}$ " allen wrench to

remove the screw and also to operate the switch located beneath it.

2. Use the allen wrench to depress and release the switch inside the screw opening.
3. The display will read "Setup" until any button is pressed. Function of the control module buttons is different in calibration mode. Figure 10 shows the button function while in calibration mode.
4. Select the method of calibration, Flow or Total Volume, by depressing the "A FLOW" button. When the TOTAL indicator light is illuminated, the system will be calibrated using the total volume method.

After calibration is complete, exit from Calibration mode is accomplished using the following procedures:

1. Using the $\frac{3}{32}$ " allen wrench, press and release the switch located in the screw hole. The word "HYPRO" will appear on the control module display followed by a zero after several seconds.



2. Replace the cover screw and o-ring.

NOTE: Always replace the cover screw and o-ring to keep water and dirt from entering the control module as it can cause serious damage to the components.

Flow Method of Calibration

The flow method of calibration is being used when the total indicator is NOT lit.

NOTE: It is critical that an accurate flow measuring device be used to measure the water flow to calibrate the flowmeter. Use a suitable size smooth bore nozzle and an accurate fixed pitot gauge instrument. Hand held pitot gauges are usually not very accurate. At the first available opportunity, make sure the system is calibrated with an accurate flow measuring device. Determine the water flow normally expected from the flowmeter discharge outlet. For example, actually establish a flow of 150 GPM (568 LPM) of water through a nozzle and Pitot system.

1. Enter calibration mode as previously described.
2. Select one of the flowmeter equipped discharges and connect a smooth bore nozzle and pitot gauge to the outlet. Establish water flow through the nozzle and measure with the pitot gauge. Adjust the measured water flow to a convenient rate, for example, 150 GPM (568 LPM).
3. Press the "B FLOW" button until the light under the flowmeter being calibrated is illuminated, and note the flow reading shown on the display.
4. Adjust the reading on the display to match the calculated pitot flow by pressing the lower right or left buttons on the FoamPro MultiFlo Control Module until the correct reading is shown.
5. Change the flow through the discharge and determine the new flow rate based on the pitot gauge reading. Compare this value with that on the control module display. Adjust the reading on the display to match the calculated Pitot flow by pressing the lower right or left buttons until the correct reading is shown on the display.
6. Repeat steps 2 through 5 for all discharges equipped with paddlewheel flowmeters.
7. Exit Calibration mode as previously described to lock the adjustments into the memory of the microprocessor. Replace the o-ring and cover screw to prevent water and dust from entering the microprocessor case.

FoamPro Digital Display Control Module

Once the FoamPro MultiFlo has been calibrated, it will be necessary to calibrate the FoamPro digital display control module. The following procedures will be used to calibrate the digital display control module:

1. Enter calibration and setup mode for the FoamPro foam proportioning system using the procedures in the appropriate FoamPro System Installation and Operation manual.
2. Proceed with the FoamPro foam proportioner system calibration per the applicable manual.

Total Volume Method of Calibration

If a pitot gauge is not available, the total volume method of calibration may be used.

NOTE: This method is intended only as a temporary method of calibration since many factors can create errors in measuring volume. Some of the more obvious causes of error are:

- Water tank volumes may vary by as much as $\pm 15\%$ from their rated size.
- The fill level of a tank can significantly vary the volume as will the amount of water left in the tank when the pump begins to cavitate.

NOTE: As soon as a pitot gauge is available, recalibrate the system using the flow method of calibration to ensure optimal results and accuracy.

1. Enter calibration mode as previously described. The total indicator must be illuminated when total volume method of calibration is used. Press the "A FLOW" button to light the "TOTAL" indicator showing the control module is set for total volume calibration method.
2. Connect a discharge hose to the flowmeter equipped discharge to be calibrated and secure the other end of the hose in a container with a known volume.
3. Select the discharge to be calibrated: A, B, C or D by depressing the B FLOW button until the light under the selected discharge is illuminated. If a number other than ZERO shows on the control module display, reset the display by depressing both C FLOW and D FLOW buttons simultaneously.
4. Establish water flow and collect the discharge in a container of 250 gallons (946 liters) or larger.
5. When the water flow is stopped and the total volume of water collected is determined, adjust the reading to match this value by pressing the C FLOW or D FLOW buttons on the FoamPro MultiFlo Control Module until the correct reading shows on the control module display.
6. Repeat steps 2 through 5 for all other discharges equipped with paddlewheel flowmeters.
7. Exit calibration mode as previously described to lock the adjustments into the memory of the FoamPro MultiFlo control module microprocessor. Replace the o-ring and the cover screw to prevent water and dust from entering the control module.
8. Proceed with the FoamPro foam proportioner system calibration per the applicable manual.

5 Operation

The FoamPro MultiFlo Control Module constantly monitors the flow signals from the flowmeter sensors.

The pump operator monitors the flow reading of any one of four paddlewheel flowmeter equipped discharges by depressing the corresponding button on the FoamPro MultiFlo Control Module. The system is automatic and requires no adjustment after the initial installation calibration.

The readout on the FoamPro MultiFlo display is designed to read in whole flow units per minute. If less than the minimum flow per minute is flowing, the display

will show a “?” symbol. This symbol will be seen as the flow stops when the discharge valve is closed or when very little water is flowing.

The combined total flow of all paddlewheel flowmeter equipped discharge outlets that are connected is totaled by the FoamPro MultiFlo Control Module, and this total value is displayed on the FoamPro Digital Display Control Module. The only time the two flow readings will match is when water or foam solution is flowing through one paddlewheel flowmeter equipped discharge.

6 Diagnostic Procedures

The FoamPro MultiFlo is designed to allow an easy method of confirming the operation of the paddlewheel flowmeters. The following describes diagnostic procedures for the FoamPro MultiFlo System.

1. Diagnostic mode is entered by removing the screw and o-ring on the right-hand side of the MultiFlo Control Module (see Figure 11) using a 3/32" allen wrench.

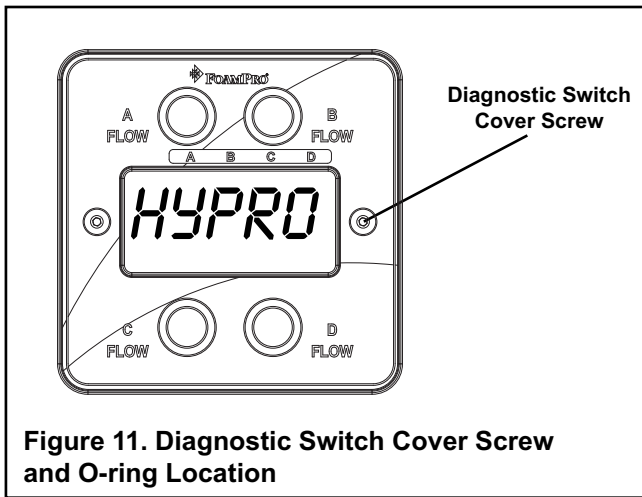


Figure 11. Diagnostic Switch Cover Screw and O-ring Location

2. Use an allen wrench to press and release the switch beneath the screw hole. The display will read 'HELLO' until any button is pressed.
3. Flow water from a discharge outlet that is equipped with a paddlewheel flowmeter.

NOTE: It is not necessary to flow water to test the function of the flowmeters. By removing the pin and sensor from the tee and spinning the paddlewheel by hand, a reading should show on the control module.

4. Press the appropriate button to select the operating discharge. The display will show the average number of pulses per second coming from the flowmeter.

If a reading shows on the display, all components for that flowmeter are functioning properly. Repeat Steps 3 and 4 for each paddlewheel flowmeter equipped discharge.

If no reading shows on the control module display for any one of the paddlewheel flowmeters, the flowmeter cable or flowmeter sensor could be defective and further diagnosis is required.

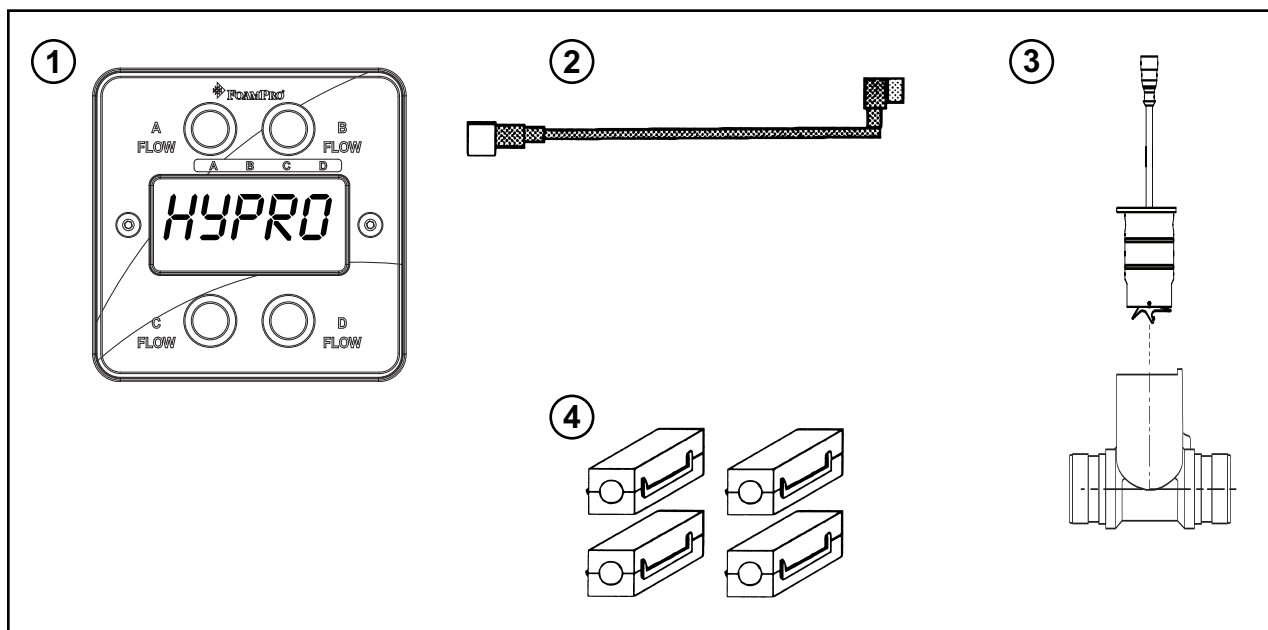
If no reading shows for any flowmeter, the FoamPro MultiFlo control module is defective and must be replaced.

5. Replace the flowmeter cable on the non-functioning flowmeter with a different flowmeter cable. Check the function of the flowmeter as described above. If a reading shows on the control module display, the original cable is defective and must be replaced. If no reading shows on the control module display, the flowmeter sensor is defective and must be replaced.
6. Exit from diagnostic mode by pressing and releasing the switch under the cover screw again. The word "HYPRO" will appear on the display followed by a zero after several seconds. REPLACE THE O-RING AND COVER SCREW WHEN DONE.

NOTE: Always replace the o-ring and cover screw to keep water and dirt from entering the control module as it can cause serious damage to the components.

This is the only diagnostic function to be performed on the FoamPro MultiFlo and is to confirm the operation of the paddlewheel flowmeter. The number shown on the control module display cannot be matched to the water flow under field applications and is an operation indicator only.

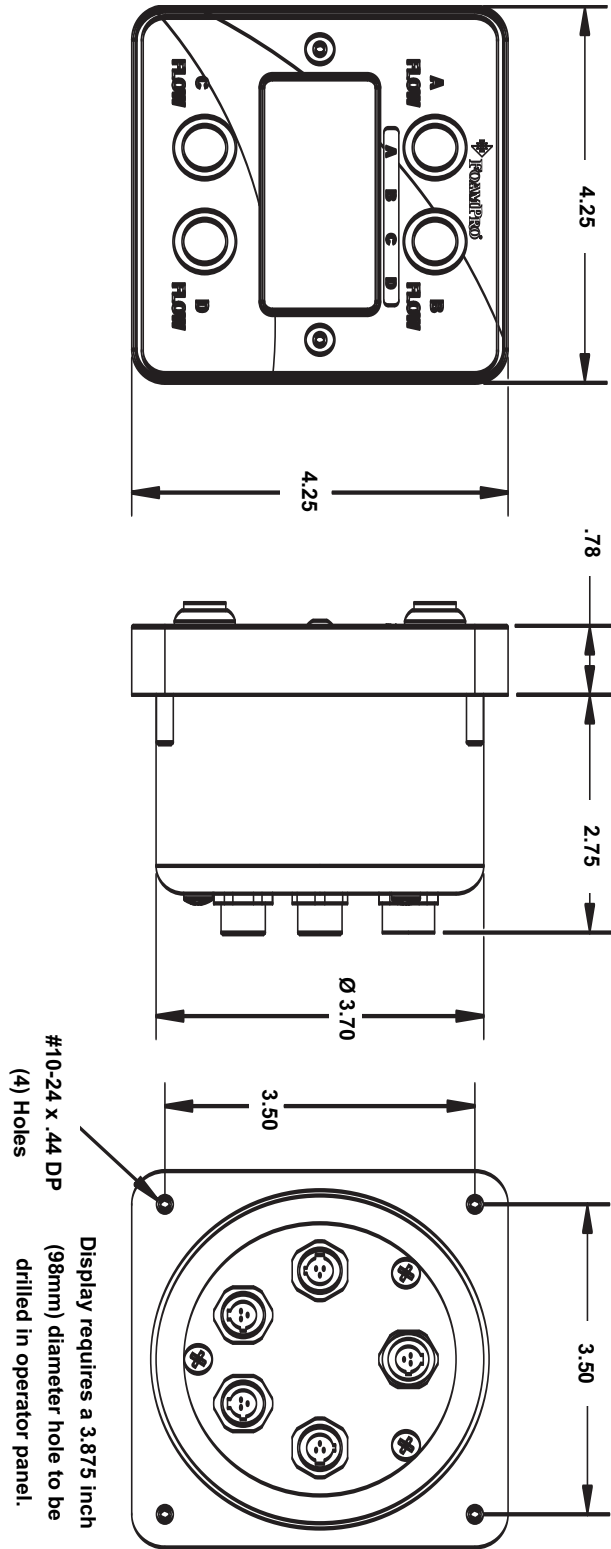
7 Parts Identification



Ref.	Part No.	Description
1	2527-0140	FoamPro MultiFlo Control Module
2	2520-0047	Flowmeter Cable 20 feet (6 meters) Long
	2520-0045	Flowmeter Cable 6 feet (2 meters) Long (Standard with FoamPro MultiFlo)
	2520-0046	Flowmeter Cable 12 feet (4 meters) Long
	2520-0063	Flowmeter Cable 1.5 feet (0.5 meters) Long
3	2660-0030	1½" NPT Paddle Wheel Flowmeter Assembly. Note: 1" Bore
	2660-0031	1½" NPT Paddle Wheel Flowmeter Assembly
	2660-0032	2" NPT Paddle Wheel Flowmeter Assembly
	2660-0033	2½" NPT Paddle Wheel Flowmeter Assembly
	2660-0034	3" NPT Paddle Wheel Flowmeter Assembly
	2660-0035	4" NPT Paddle Wheel Flowmeter Assembly
4	3430-0353	RFI/EMI Suppression Kit (4 Pieces)

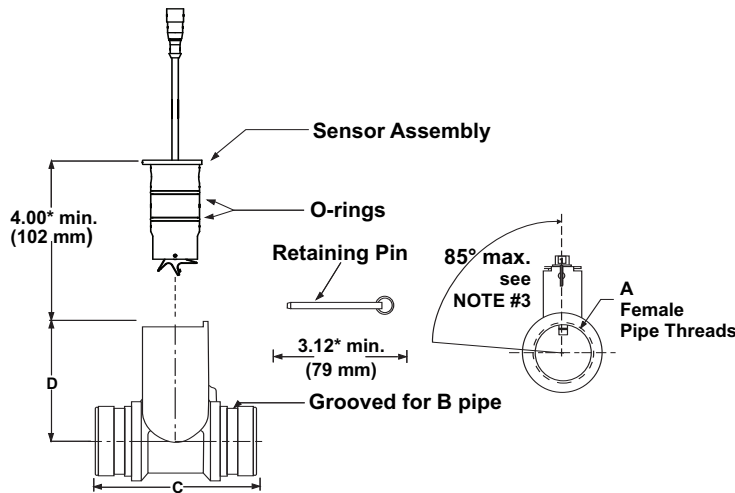
NOTE: Select desired flowmeter cable length to connect the MultiFlo Control Module to the FoamPro Digital Display Control Module and flowmeter sensors.

8



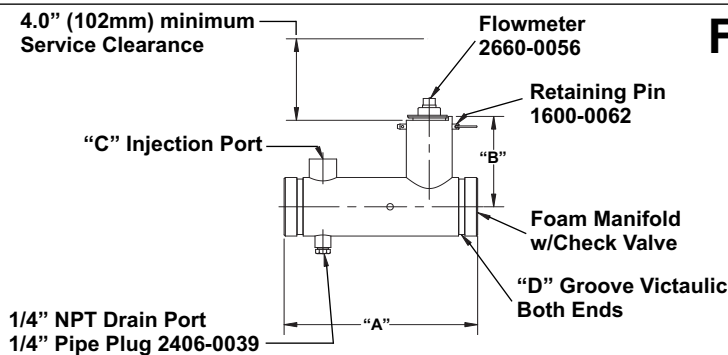
Additional space
[3in (76mm)]
required for cables.

FoamPro Flowmeter



- NOTES:**
1. Use **CAUTION** not to damage sensor during assembly.
 2. Use Loctite PST 565 or equivalent Teflon tape to seal pipe threads.
 3. Maximum horizontal installation angle to allow proper water drainage. Unit may also be installed in vertical piping arrangement.

Assy. Part Number	A	B	C	D	Maximum Accuracy Flow Range (gpm)	Maximum Operating Flow Range (gpm)
2660-0030	1-1/2"—11-1/2" NPT NOTE 1" I.D. Bore	2" Pipe	7-3/8" [188 mm]	3-7/8" [99 mm]	5-110	3-145
2660-0031	1-1/2"—11-1/2" NPT	2" Pipe	5-3/8" [137 mm]	4-1/8" [105 mm]	10-320	3-380
2660-0031B	1-1/2"—11" BSP	2" Pipe	5-3/8" [137 mm]	4-1/8" [105 mm]	10-320	3-380
2660-0032	2"—11-1/2" NPT	2-1/2" Pipe	5-3/8" [137 mm]	4-3/8" [111 mm]	15-520	5-625
2660-0032B	2"—11" BSP	2-1/2" Pipe	5-3/8" [137 mm]	4-3/8" [111 mm]	15-520	5-625
2660-0033	2-1/2"—8" NPT	3" Pipe	5-3/8" [137 mm]	4-9/16" [116 mm]	20-750	8-900
2600-0033B	2-1/2"-11" BSP	3" Pipe	5-3/8" [137 mm]	4-9/16" [116 mm]	20-750	8-900
2660-0034	3"—8" NPT	4" Pipe	5-1/2" [140 mm]	4-7/8" [124 mm]	30-1150	12-1380
2600-0034B	3"—11" BSP	4" Pipe	5-1/2" [140 mm]	4-7/8" [124 mm]	30-1150	12-1380
2600-0035	4"—8" NPT	5" Pipe	5-1/2" [140 mm]	5-3/8" [137mm]	55-1980	20-2380
2660-0035B	4"—11" BSP	5" Pipe	5-1/2" [140 mm]	5-3/8" [137mm]	55-1980	20-2380



FoamPro Manifold

Assy. Part Number	A	B	C	D	Maximum Accuracy Flow Range	Maximum Operating Flow Range
2660-0051	8.5" (216mm)	4.0" (102mm)	1/2" (12.7mm)	1-1/2" Pipe	10-320 gpm (38-1211 Lpm)	3-380 gpm (11-1438 Lpm)
2660-0052	8.5" (216mm)	4.3" (109mm)	1/2" (12.7mm)	2" Pipe	15-520 gpm (57-1968 Lpm)	5-625 gpm (19-2365 Lpm)

•NOTES•

•NOTES•

9 Warranty

FoamPro warrants to the original purchaser, each new pump, system or other product of its own manufacture, for a period of one year from the date of shipment from the factory, to be free from defects in material and workmanship under normal use and service. "Normal use and service" means not in excess of recommended maximum speeds, pressures, and temperatures, or handling fluids not compatible with components materials, as noted in applicable FoamPro product catalogs, technical literature, and instructions. This warranty shall not apply to any pump, system or other product which shall have been repaired or altered to adversely affect the performance or reliability of the pump, system or other product.

Neither this warranty nor any implied warranty apply to damage or harm caused by any or all of the following: (1) Freight damage; (2) Freezing damage; (3) Damage caused by parts and/or accessories or components not obtained from or approved by FoamPro; (4) ANY CONSEQUENTIAL OR INCIDENTAL DAMAGES, OTHER THAN INJURY TO THE PERSON, ARISING FROM THE USE OF ANY PUMP OR OTHER PRODUCT MANUFACTURED BY FOAMPRO EXCEPT in states that do not allow the exclusion or limitation of incidental or consequential damages; (5) Damage due to misapplication and/or misuse; (6) Normal wear of moving parts or components affected by moving parts.

The liability of FoamPro under the foregoing warranty is limited to the repair or replacement at FoamPro's option without charge for labor or materials of any parts upon return of the entire pump, system or other product or of the particular part to the FoamPro factory within the warranty period, at the sole expense of the purchaser, which part shall upon examination appear to FoamPro's satisfaction to have been defective in material and workmanship.

The liability of FoamPro under any theory of recovery (except any express warranty where the remedy is set forth in the above paragraph) for loss, harm or damage, shall be limited to the lesser of the actual loss, harm or damage or the purchase price of the involved pump, system or other product when sold by FoamPro to its customer.

FoamPro expressly warrants its pumps and other products as above stated. THERE ARE NO OTHER EXPRESS WARRANTIES. ANY IMPLIED WARRANTIES, INCLUDING IMPLIED WARRANTY OF MERCHANTABILITY OR OF FITNESS FOR A PARTICULAR PURPOSE, ARE LIMITED IN DURATION TO ONE YEAR FROM THE DATE OF PURCHASE BY THE ORIGINAL PURCHASER EXCEPT in states that do not allow time limitations on implied warranties. THERE IS NO IMPLIED WARRANTY OF FITNESS FOR A PARTICULAR PURPOSE OR MERCHANTABILITY WHEN THIS PRODUCT IS PUT TO RENTAL USE.

No person including any dealer or representative of FoamPro is authorized to make any representation or warranty concerning FoamPro products on behalf of FoamPro, or to assume for FoamPro the obligations contained in this warranty. FoamPro reserves the right to make changes in design and other changes and improvements upon its products without imposing any obligations upon itself to install the same, upon its existing products then in process or manufacture.

This warranty gives you specific legal rights, and you may also have other rights which vary from state to state.

IMPORTANT NOTICE

It is imperative to package all FoamPro components properly, **before** shipment (with Return Goods Authorization attached) back to FoamPro. The FoamPro contains electronic components that may receive damage from improper shipping procedures! All FoamPro components shipped back to FoamPro will pass through Quality Control Inspection, and will be photographed after the box is opened. Any shipping damage, such as superficial scratches, nicks, etc., to the unit makes it unusable (even after the internal warranty problem is repaired) and thus must be refinished to "like-new" condition during the warranty process. *You are responsible for any physical damage occurring to FoamPro components at your facility and during shipment back to FoamPro.*

Package the FoamPro, complete with all the recommended parts the Customer Service representative requires (i.e., Digital Display control with all remodeled wire cables etc.) in its original carton with the Styrofoam and other packaging materials, as it was received at your facility.

FoamPro appreciates your attention in this matter, as we feel it will help us to serve you in a better fashion, while keeping the cost of the FoamPro product competitive. Thank you.